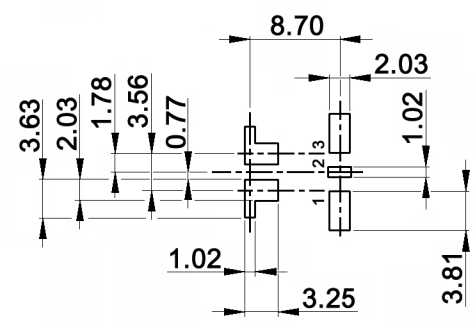


Toggle shown in pos. 1

P.C. MOUNTING



CONTACT ARRANGEMENT:

code for x	function	toggle in position 1	toggle opposite to pos. 1
D	On-On	2-3	1-2
F	On-Mom		

code for x	function	toggle in position 1	toggle in center	toggle opposite
E	On-Off-On			
G	Mom-Off-Mom	2-3	open	1-2
H	On-Off-Mom			

SWITCH RATING:

code for y	contacts and terminals	rating AC with real load	rating DC with real load
empty	silver-plated over nickel	1A/250V, 3A/120V	3A/28V
B	gold-plated over nickel	0.4VA/20V	0.4VA/20V
S	silver-plated over nickel, terminals tin-plated	1A/250V, 3A/120V	3A/28V
T	gold-plated over silver over nickel, terminals tin-plated	1A/250V, 3A/120V	3A/28V
G	gold-plated over silver over nickel	1A/250V, 3A/120V	3A/28V

obsolete 2013 June

Compliance: RohS II (2011/65/EU), silicone-free

Tolerances: 0.00: ±0.25mm 0.0: ±0.40mm		Date	Name
Operating temperature	11/23	dr	
Silicone-free	07/17	dr	
Revised	02/14	dr	
Specifications	07/13	dr	
Switch rating	12/11	dr	
Contact arrangement	10/09	dr	
Switch rating	10/09	dr	
P.C.B. Layout	10/07	dr	
Modifications	Date	Name	

SST 1 xy-R

knitter-switch

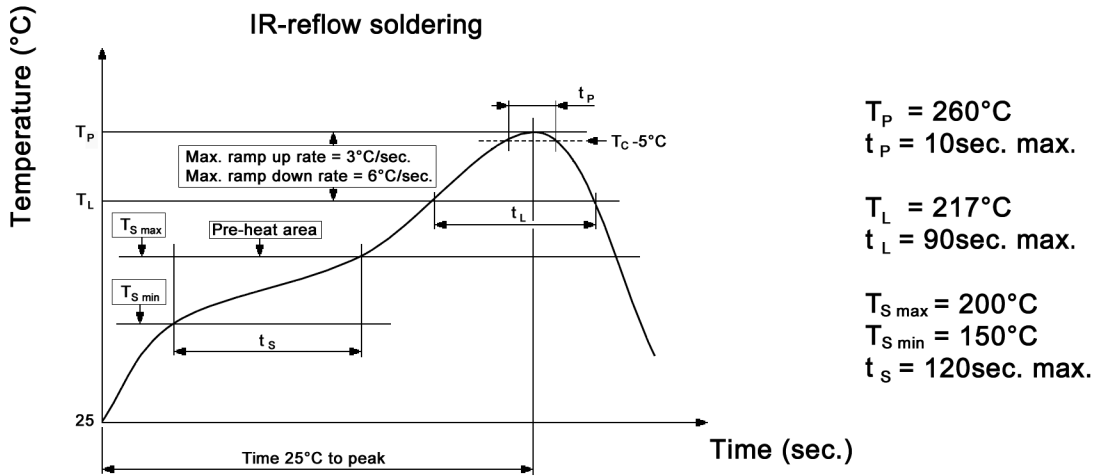
30 08 36

Page
1/2

Specifications:

Contact resistance: 20mOhm max. at 2-4V DC
Insulation resistance: 1 000MOhm min.
Dielectric strength: 1 000V RMS
Operating temperature: -40°C to +85°C
Mechanical life: 30 000 make-and-break cycles
IP rating: IP 67
Material: Case / bushing: glass filled nylon 6/6, flame retardant, heat stabilized (UL94V-0)
 Actuator: brass, chrome plated
 Switch support: brass, tin plated

Soldering conditions:



Compliance: RohS II (2011/65/EU), silicone-free

Tolerances: 0.00: ±0.25mm 0.0: ±0.40mm		Date	Name	<h1>SST 1 xy-R</h1>	
		03/06	dr		
Operating temperature	11/23	dr			
Silicone-free	07/17	dr			
Revised	02/14	dr			
Specifications	07/13	dr			
Switch rating	12/11	dr			
Contact arrangement	10/09	dr	knitter-switch	30 08 36	
Switch rating	10/09	dr			Page
P.C.B. Layout	10/07	dr			2/2
Modifications	Date	Name			